

ILNE

Luminaire

NEBRASKA LED



Nebraska is a state-of-the-art luminaire that includes the latest advances in LED technology, complemented by a simple, yet elegant ergonomic design.

MAIN FEATURES:

APPLICATIONS:

[Project sheet](#) | [CAD](#) | [Catalogue](#) | [Mounting instructions](#) | [BIM](#) | [HD image](#)

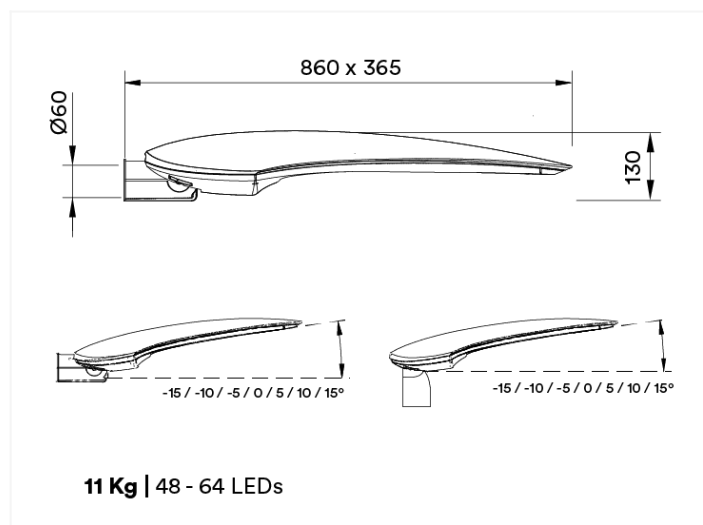
**BENITO
NOVATILU**

info@benito.com
tel. +34 93 852 1000 / +34 961 401 000

SPECIFICATIONS :

Housing material:	
Diffuser (optic system enclosure):	
Fixing elements:	
Housing:	
Sealing gaskets:	
IP rating (luminaire):	
IP rating (optic system):	
IK rating (impact resistance):	
LEDs thermal dissipation:	
Anti-condensation valve:	
Finish:	
Colour:	
Mounting:	
Tilt range:	
Maintenance:	
Recommended mounting height:	
Driver:	
Driver control:	
Dimming options:	
Surge protection device (SPD):	

DRAWING:



INSTALLATION:



TECHNICAL DATA:

REF.

N° LEDs

Power W

I Driver
mA

Real luminous flux (T) =85°C

Initial luminous flux (T)
=25°C

Flux lm

Efficacy lm/W

Flux lm

Efficacy lm/W

LEDs: 5050

Nominal efficacy LED: 172 lm/W.

Maximum LED current: 1000 mA.

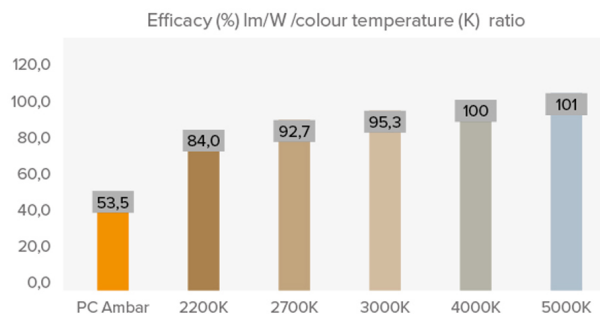
LED current = Driver current/2

Lifetime L90B10: >100,000 hours.

Luminous flux and efficacy at 4000°K and CRI>70.

Luminous flux tolerance < +/-3%.

Values may be subject to change due to LED binning.



PHOTOMETRY:

LEDs MODULE:

LEDs module:

Replaceable module:

LED:

Number of LEDs:

PCBs format:

LED nominal efficacy:

Colour temperature:

Colour rendering index CRI:

Average LED useful time L90B10:

OPTIC SPECIFICATIONS:

Optic system:

Light distributions:

Upward light output ratio ULOR:

Downward light output ratio DLOR:

Glare index:

Luminous intensity category:

Luminous flux CIE n°3:

Photobiological safety:

Initial luminous flux $T_j=25^\circ\text{C}$ (up to):

Initial luminaire efficacy $T_j=25^\circ\text{C}$ (up to):

Real luminous flux $T_j=85^\circ\text{C}$ (UNE EN 13032-4)

(up to):

Real luminaire efficacy $T_j=85^\circ\text{C}$ (UNE EN

13032-4) (up to):

ELECTRIC SPECIFICATIONS:

Nominal maximum power (LEDs):

Maximum power consumed (luminaire):

Power range:

Maximum current of LED:

Power supply protection classes IEC:

Surge protection device (SPD):

Common and differential mode protection (SPD)

Udc:

Max current (8/20) (SPD):

Thermal phase disconnection (SPD):

Input voltage:

Input voltage (max rate):

Input frequency:

Starting current:

Duration of the starting voltage peak:

Driver efficacy:

Power factor 100% consumption:

Power factor 50% consumption:

Total harmonic distortion (THD):

Power consumption on standby mode:

Energy class:

OPERATING CONDITIONS:

Average LED useful time L90B10:

Average driver useful life to $T_p < 70^\circ\text{C}$:

Average luminaire useful life L80B10 (TM-21):

Ambient temperature (T_a):

Aerodynamic resistance ($C_x S$):

Vibration test (15Hz 3 axis):

Wind load test:

Guarantee:

PACKAGING DIMENSIONS:

Net weight

Gross weight

Luminaire dimensions (LxWxH)

Packaging dimensions (LxWxH)

Pieces per box

Quantity per container 20ft

Quantity per container 40ft

CERTIFICATES:

Security certificates:

EMC certificates:

Other certifications: